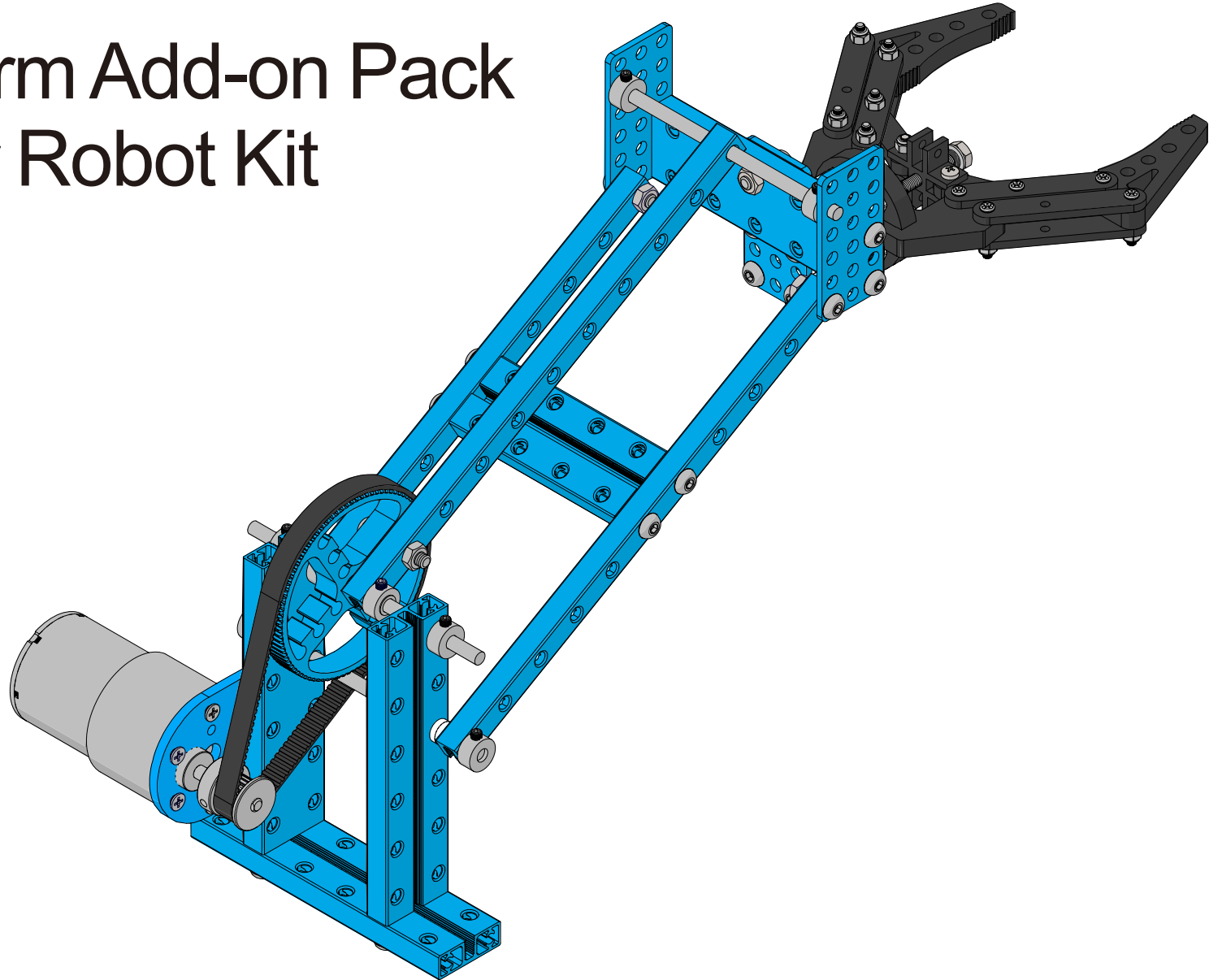
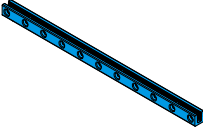
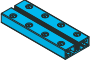

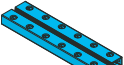
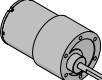



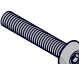


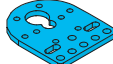

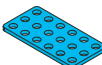

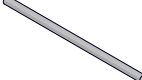








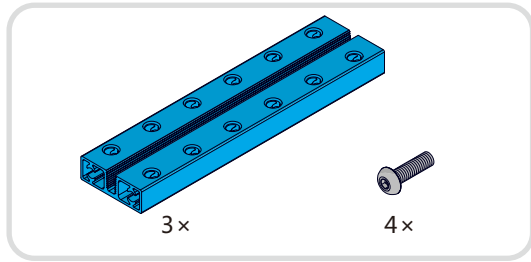
Robotic Arm Add-on Pack for Starter Robot Kit



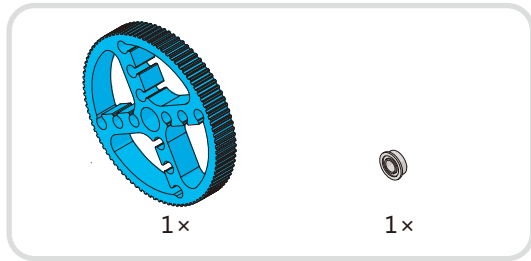
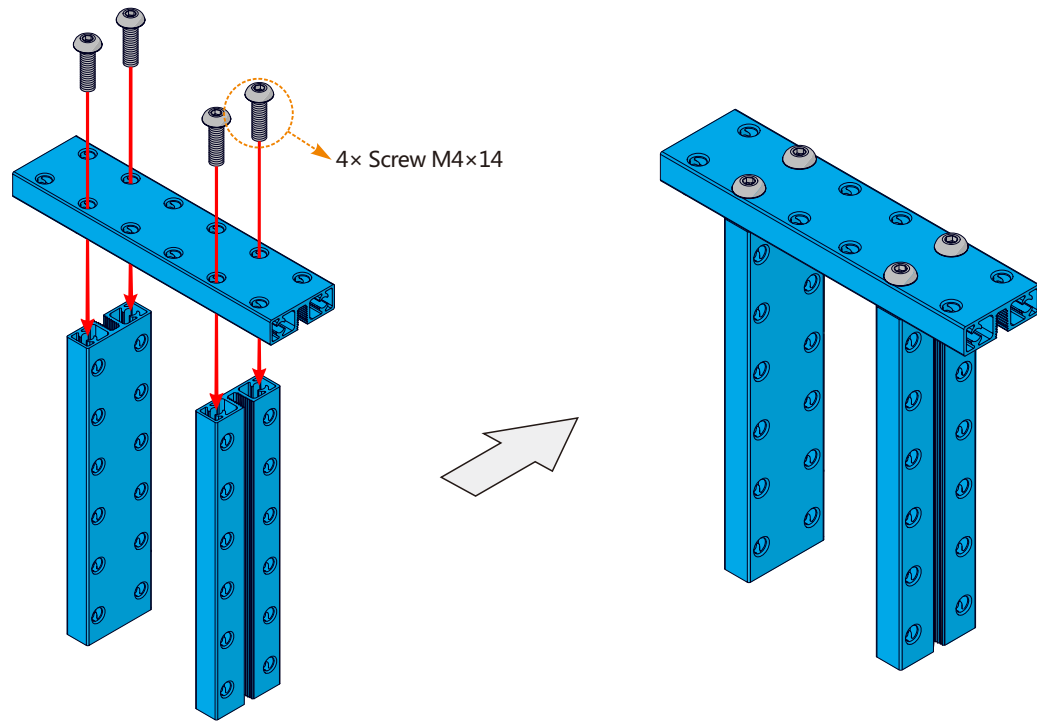
Parts List Pictures for reference only

- 3× Beam 0808-168 
- 1× Beam 0824-64 
- 1× Beam 0824-80 
- 3× Beam 0824-96 
- 1× DC Motor-37 
- 1× Flange Bearing 4×8×3mm 
- 12× Screw M4×8 
- 11× Screw M4×14 
- 1× Screw M4×22 
- 2× Nut M4 
- 2× Nylon lock Nut M4 

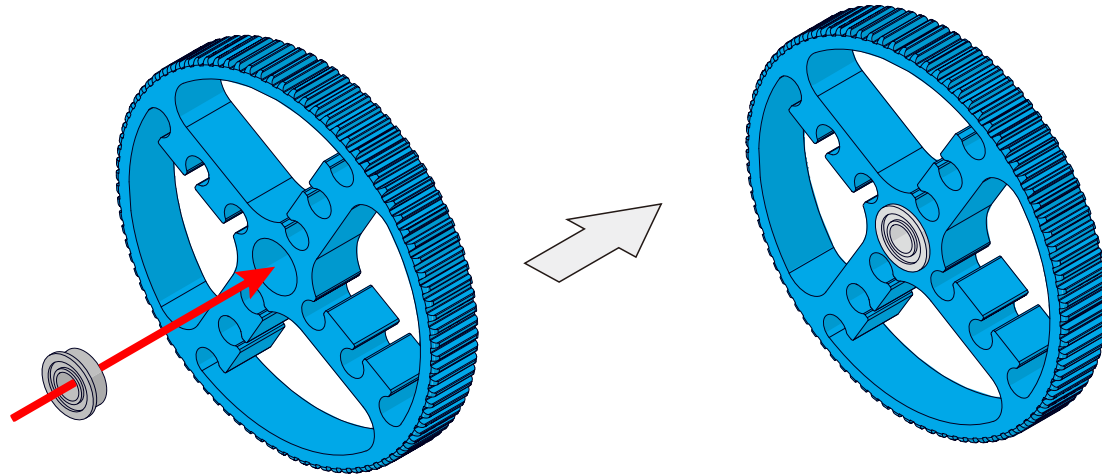
- 1× DC Motor-37 Bracket 
- 4× Plastic Ring 4×7×2mm 
- 3× Plate 3×6 
- 4× Screw M3×8 
- 3× Shaft 4×88 
- 8× Shaft Collar 4mm 
- 9× Headless Set Screw M3×5 
- 1× Timing Pulley 18T 
- 1× Timing Pulley 90T 
- 1× Timing Belt 98M×L 
- 1× Robot Gripper 

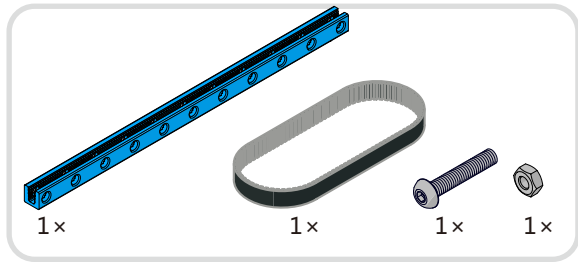


1

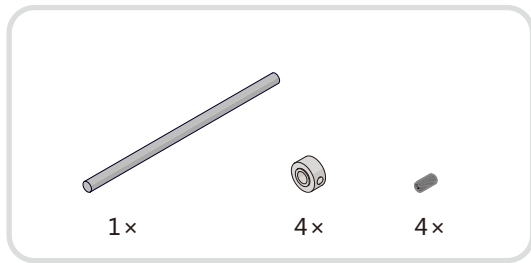
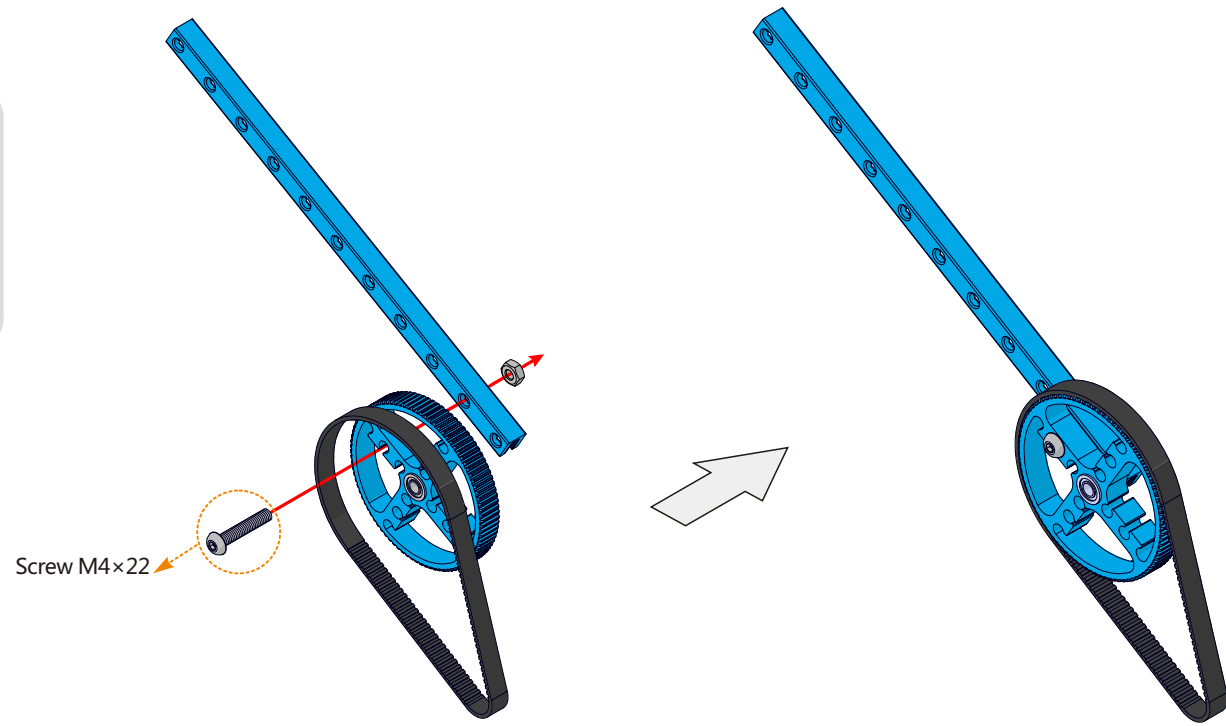


2

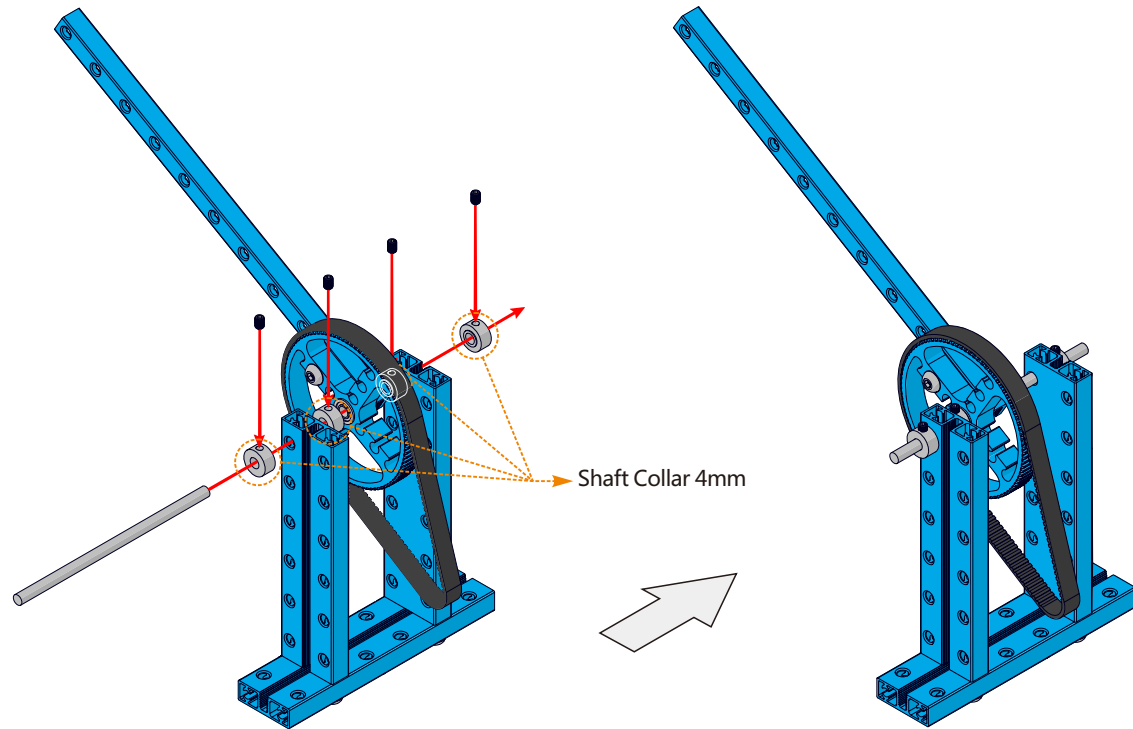


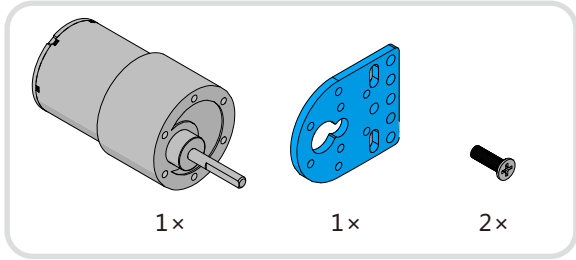


3

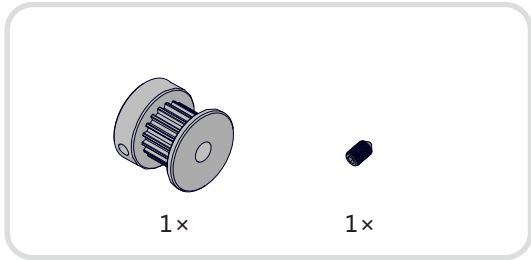
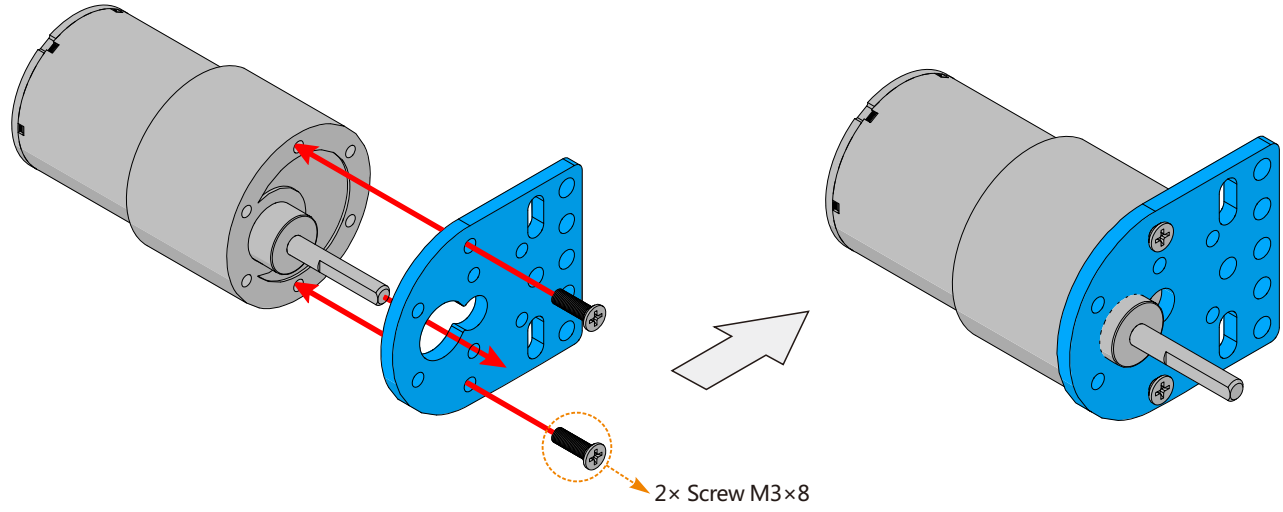


4

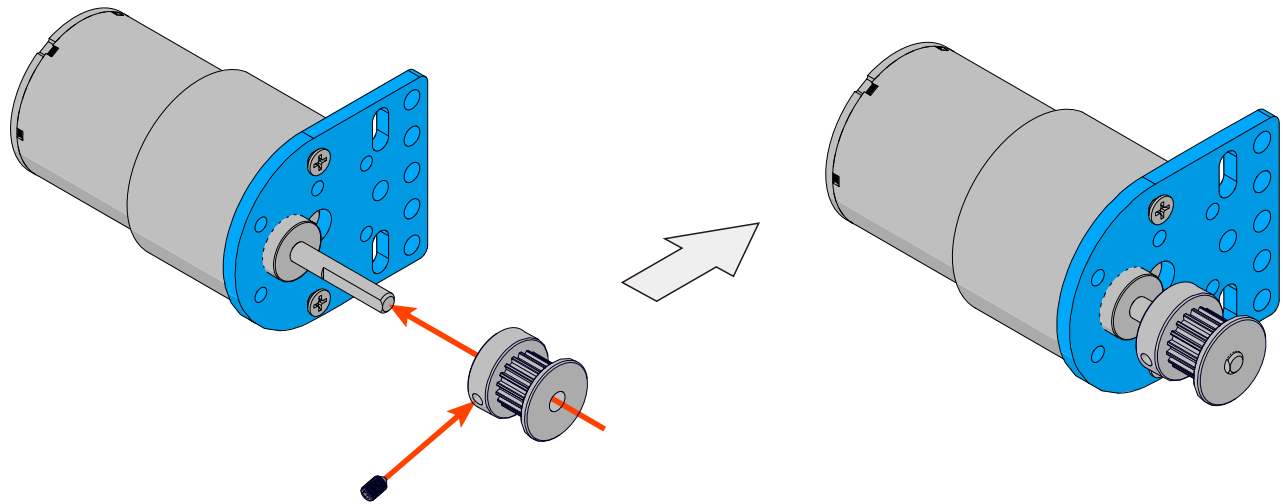


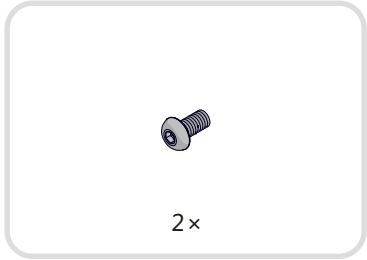


5

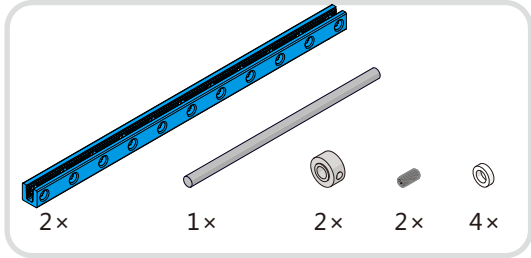
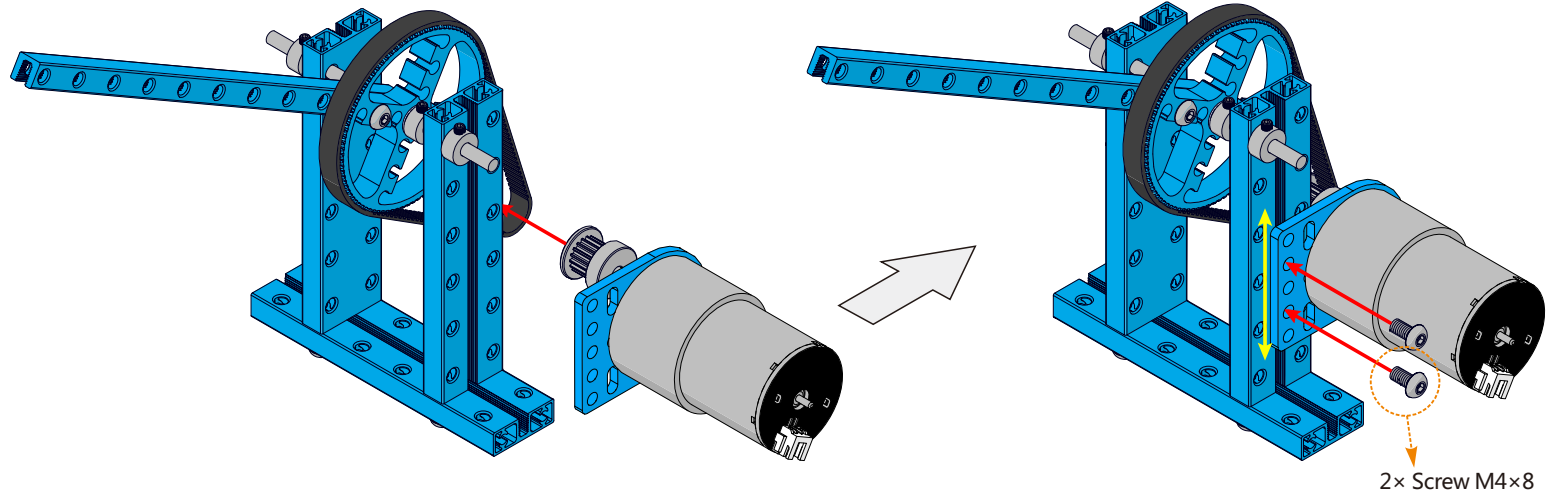


6

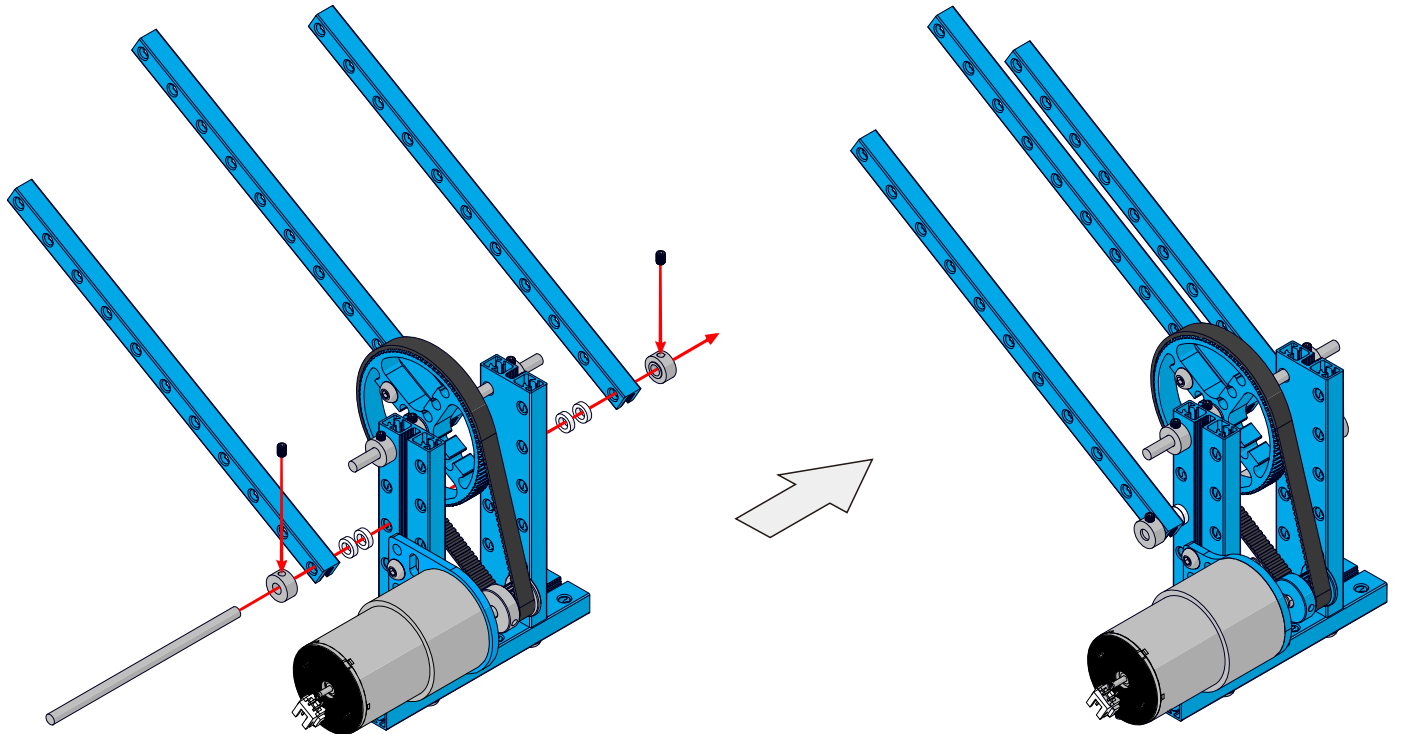


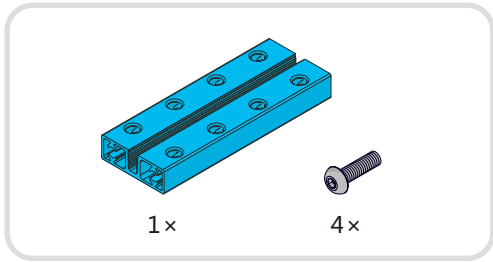


7

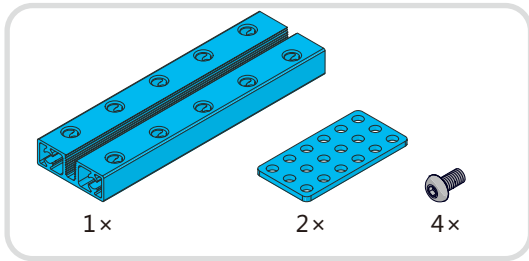
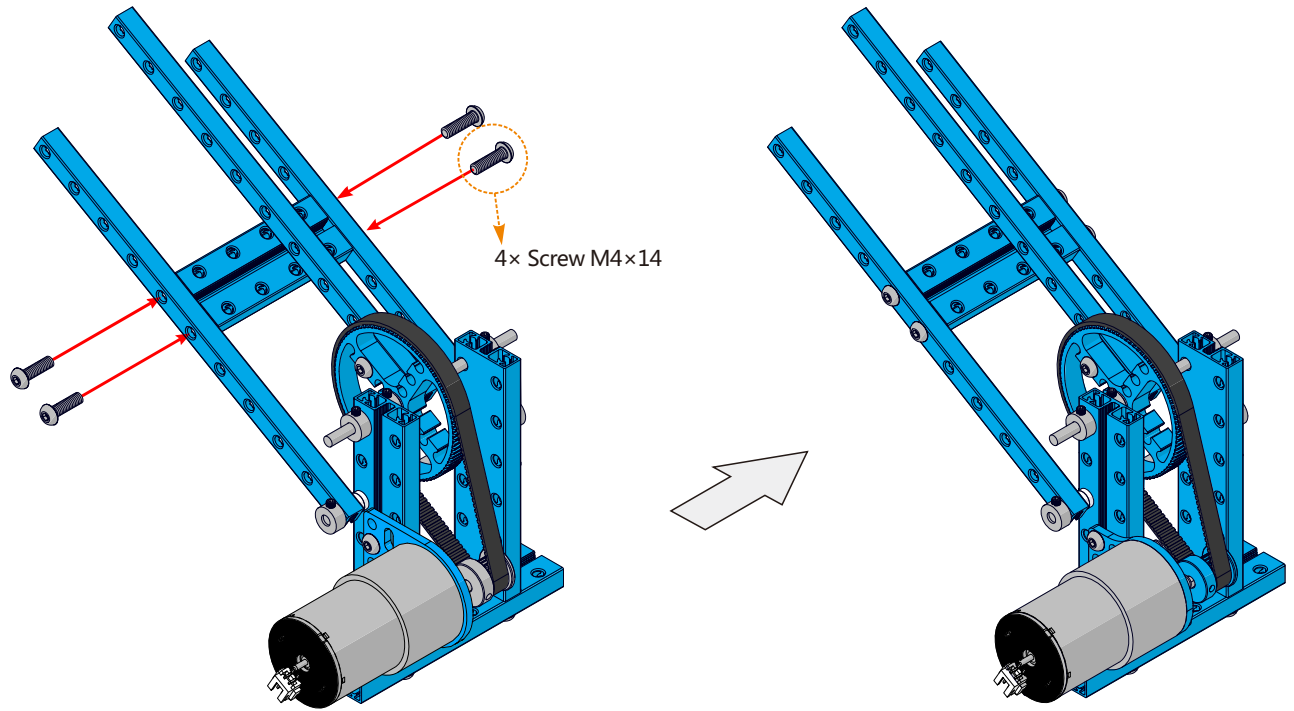


8

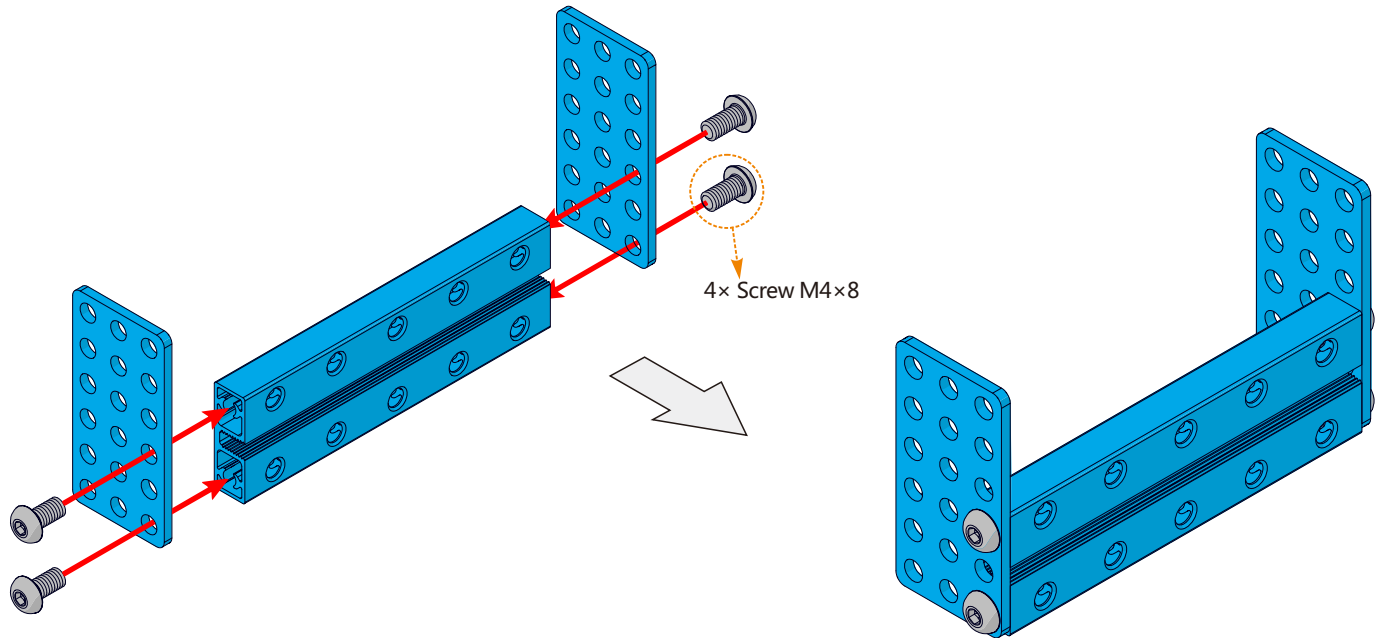


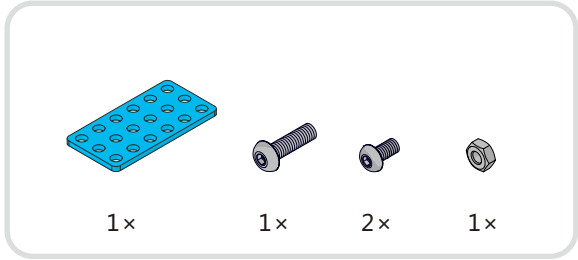


9

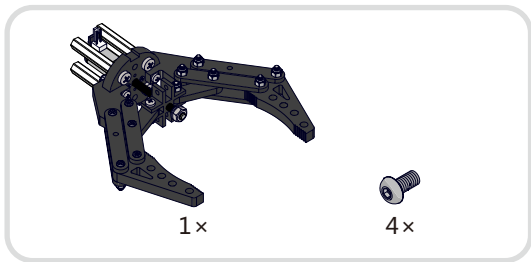
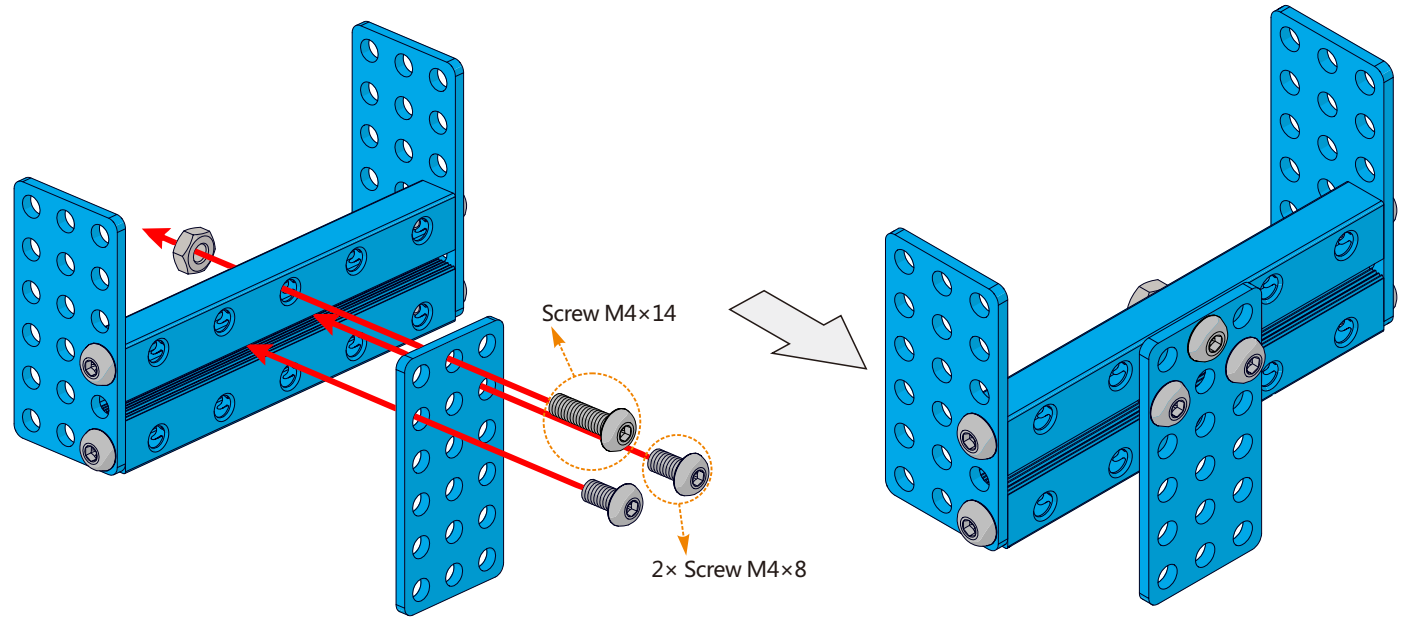


10

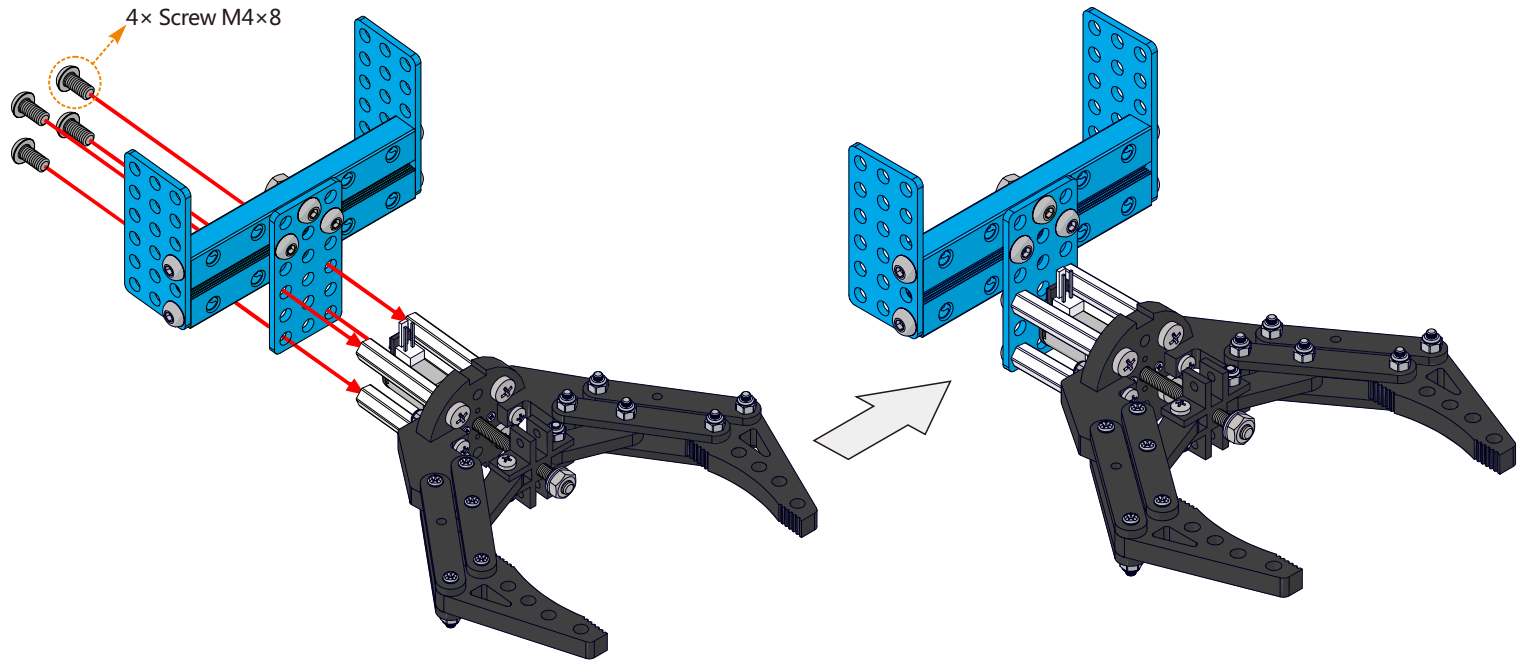


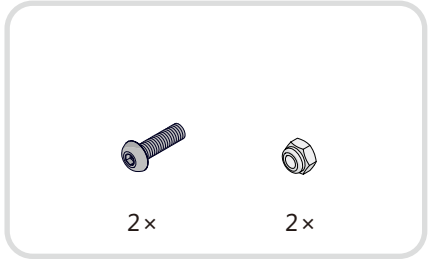


11

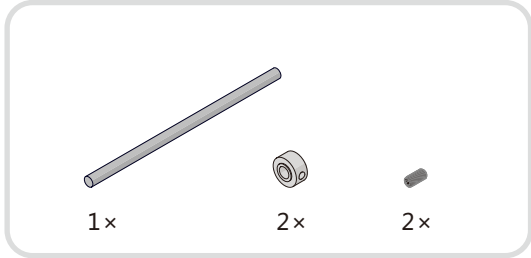
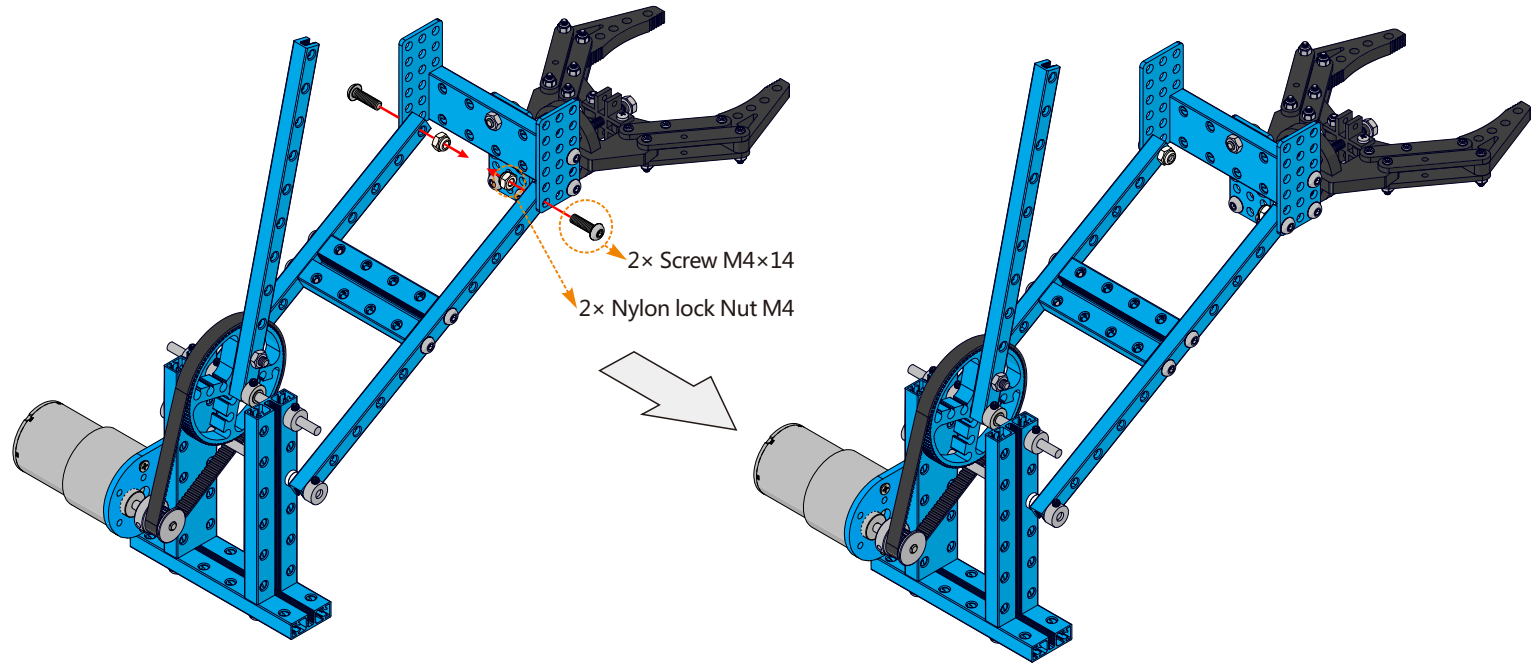


12

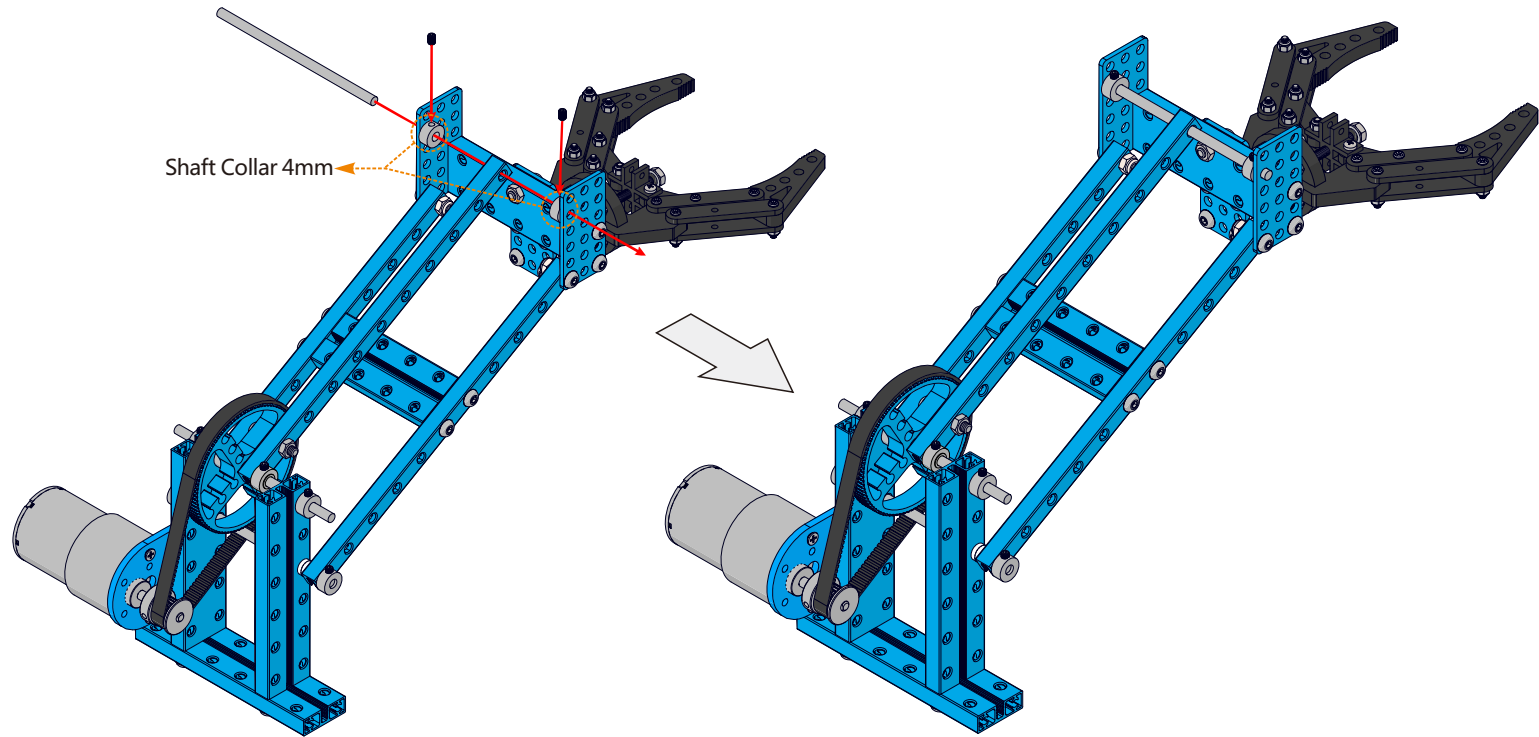




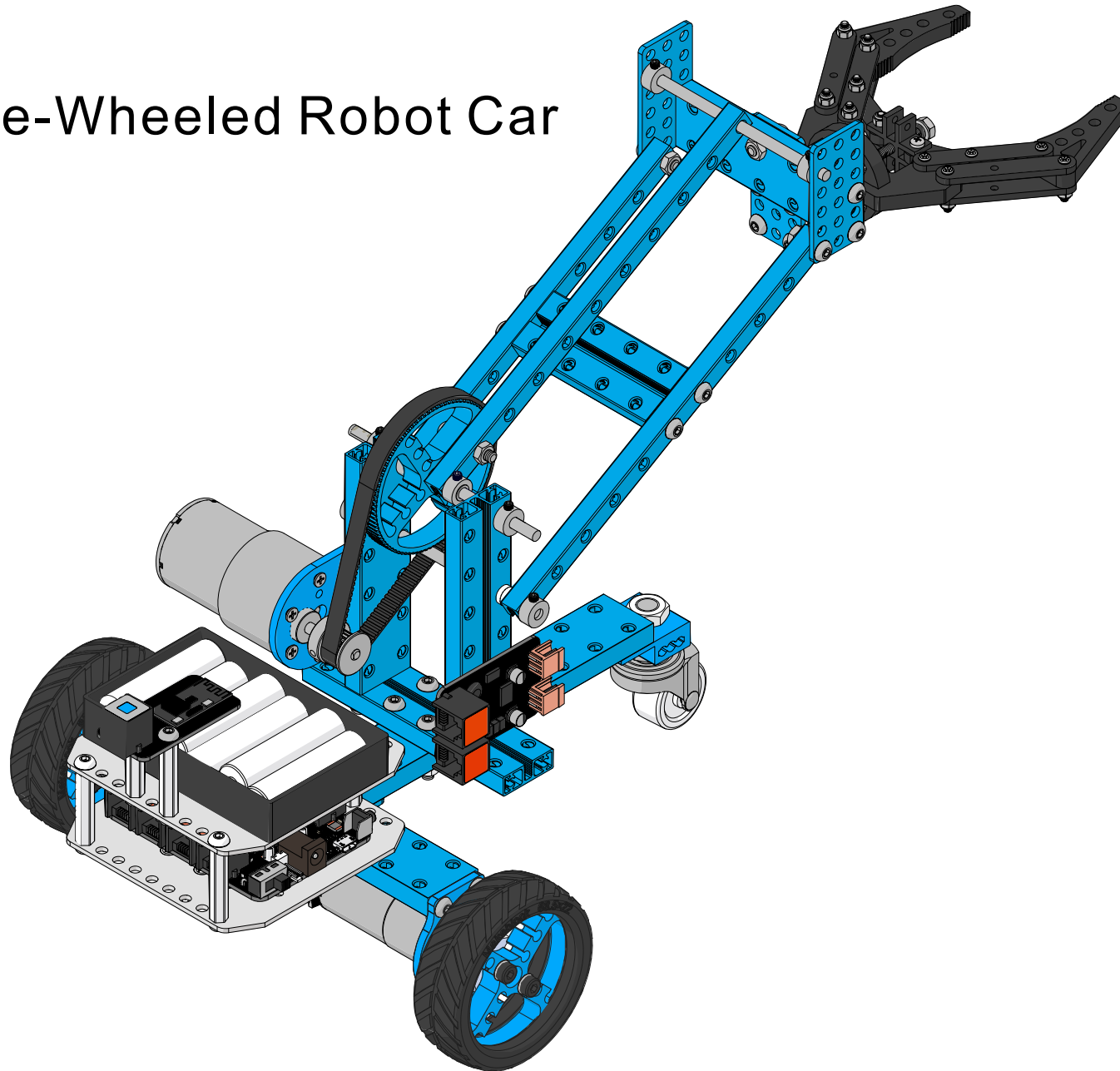
13



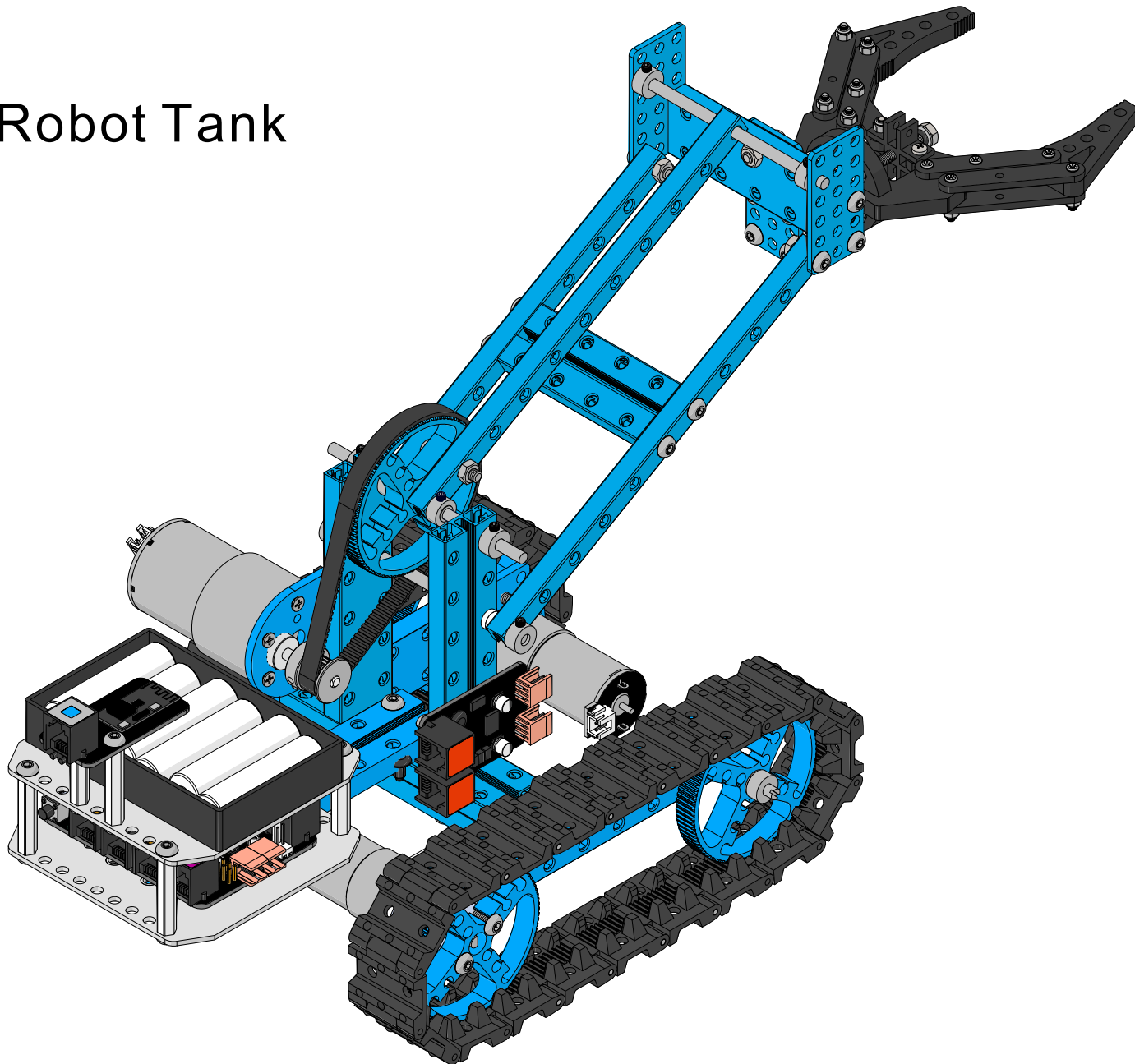
14



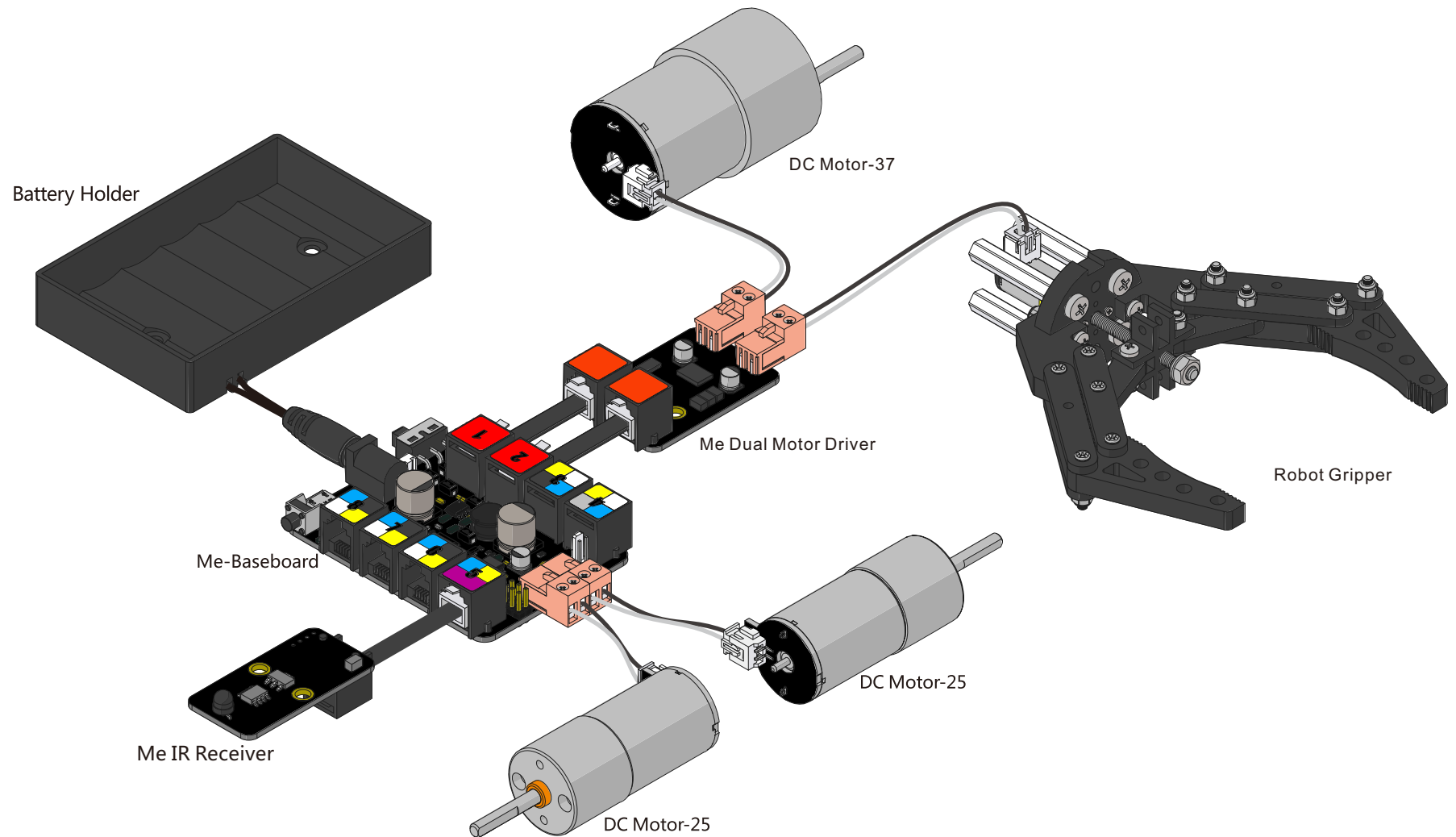
With Three-Wheeled Robot Car



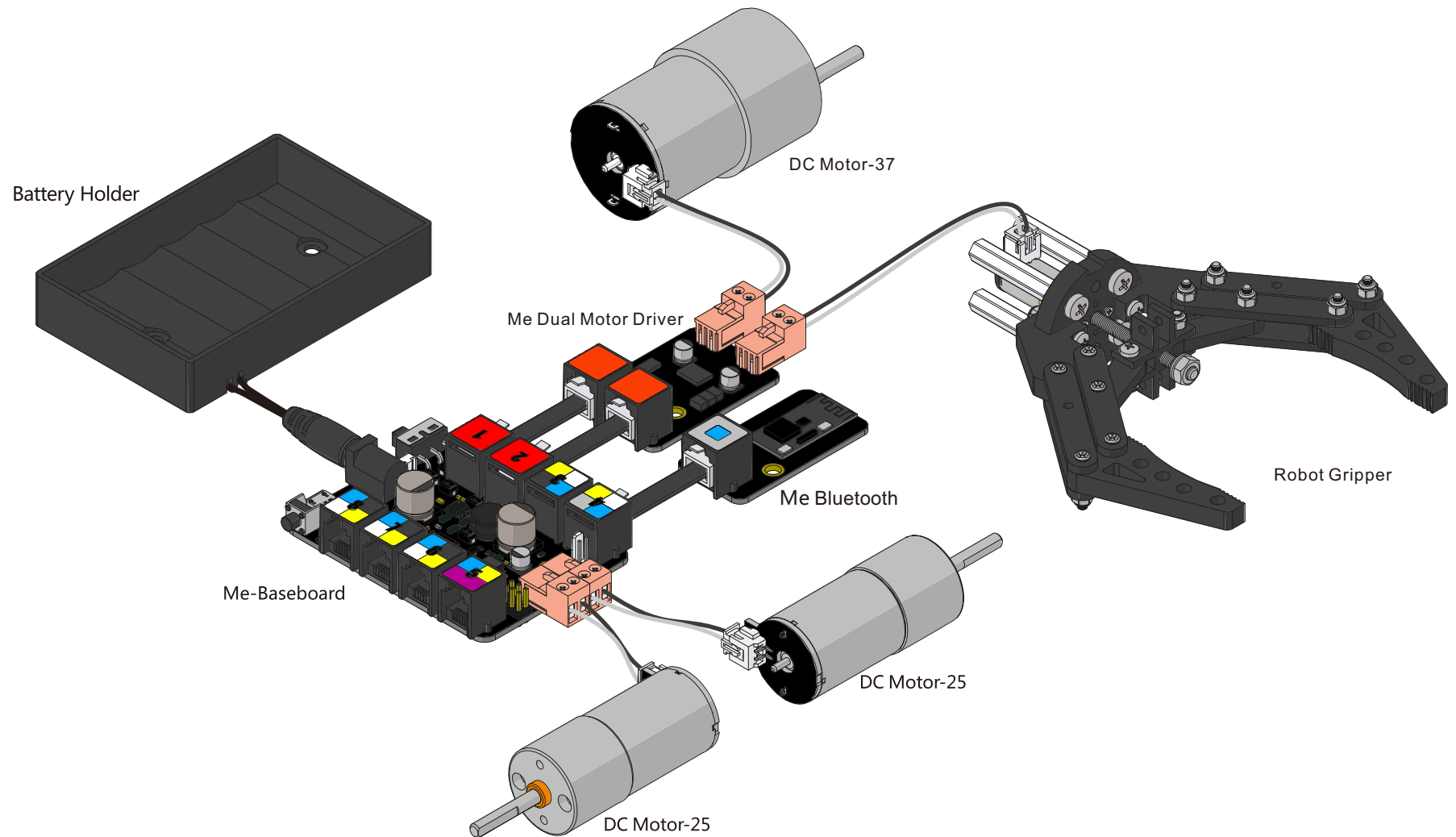
With Robot Tank



Wiring and Programming **IR Version**



Wiring and Programming **Bluetooth Version**



Makeblock
Construct Your Dreams

www.makeblock.cc