

NEMA14-02

Bipolar Stepper Motor



This small sized stepper motor is optimal for smaller tasks in automation, CNC (e. g. laser engraver, 3d printer, etc), or robotic. The small design and the little weight predestine this stepper motor for projects with limited space and / or limited weight capacity.

KEY FEATURES

Shaft diameter	Ø 5 x 16 mm (single shaft)
Specification	35SHD0102-20B1
Connection	6 pole socket (JST), 4 Pins used
Steps per Revolution	200
Dimensions	35 x 35 x 35 mm
Items delivered	NEMA14-02 Motor

PERFORMANCE CHARACTERISTICS

Holding Torque	0.15 Nm
Rated Voltage	4.35 V
Rated Current	0.75 A
Step Angle	1.8°
Phase Resistance	5.8 Ω
Amount of Phases	2
Phase inductivity	9.5 mH
Isolation resistance	Min. 100MΩ at 500 V
Isolation Class	B (130°)
Rotational inertia	14g·cm ²
Detent torque	0,012 Nm
Operating Temperature	-10 °C - 50 °C

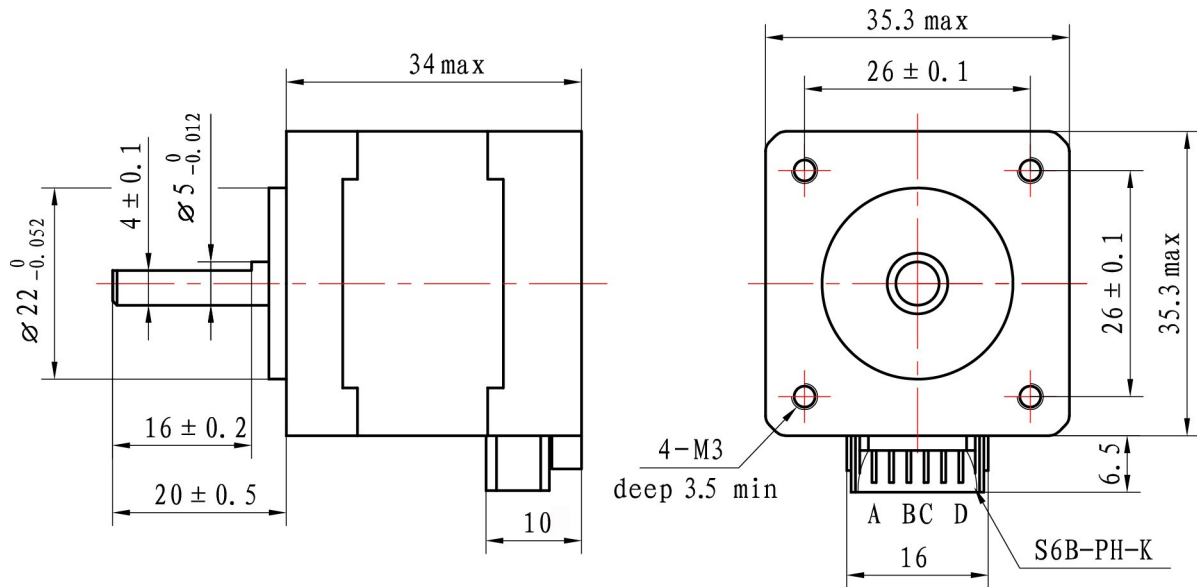
FURTHER DETAILS

Article No.	NEMA14-02
EAN	4250236818757
Customs Tariff No.	8501109990

NEMA14-02

Bipolar Stepper Motor

DRAWING



WIRING

