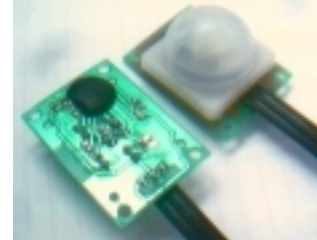


PI8377 PIR Module

This is a low PIR module. It is designed for cost sensitive consumer product.

Features:

- IC soft package by dice bonding technique
- Small size: 25 x 35mm
- Ball lens is included as standard configuration
- 3 leads flat cable for easy connection
- 4 mounting holes on board
- High Sensitivity
- High immunity to RFI
- Power up delay to prevent from false triggering
- Output High for direct connect to control panel



Specification

| | Min | Typ | Max | Unit |
|----------------------------|-----|-----|-----|--------------|
| Operation Voltage | 4.7 | 5 | 12 | V |
| Standby Current (no load) | | 300 | | μ A |
| Output Pulse Width | 0.5 | | | Sec |
| Output High Voltage | | 5 | | V |
| Detection Range | | 5 | | M |
| Operation Temperature | -20 | 25 | 50 | $^{\circ}$ C |
| Humidity Range | | | 95 | % |

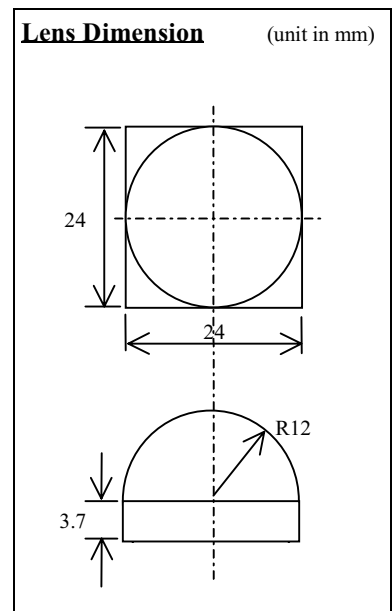
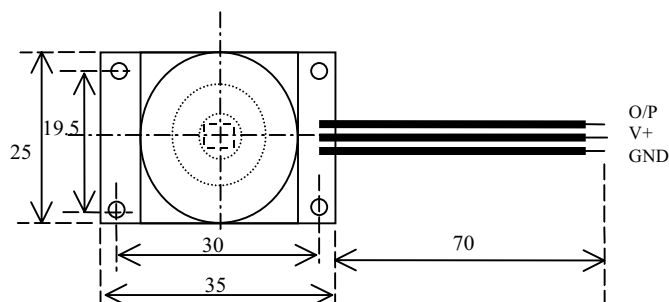
Note:

Minimum output pulse width can be customer specified.

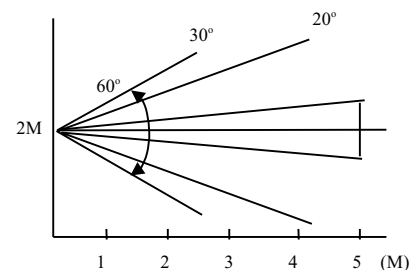
Standard Configuration

| | |
|----------------|--|
| PIR controller | C78 in dice form |
| PIR Sensor | NICERA |
| Lens | Ball lens of 60 $^{\circ}$ detection angle |
| Connector | 3 leads flat cable, Power, GND, O/P |

Mechanical Dimension



Vertical View Pattern



Application Note:

- The PIR sensor is sensitive to the temperature change and therefore to prevent from operating the module in rapid environmental temperature changes, strong shock or vibration. Don't expose to the direct sun light or headlights of automobile. Don't expose to direct wind from heater or air conditioner.
- This module is designed for indoor use. If using in outdoor, make sure to apply suitable supplemental optical filter and drop-proof, anti-dew construction
- Detection range might be varied in different environmental temperature condition.